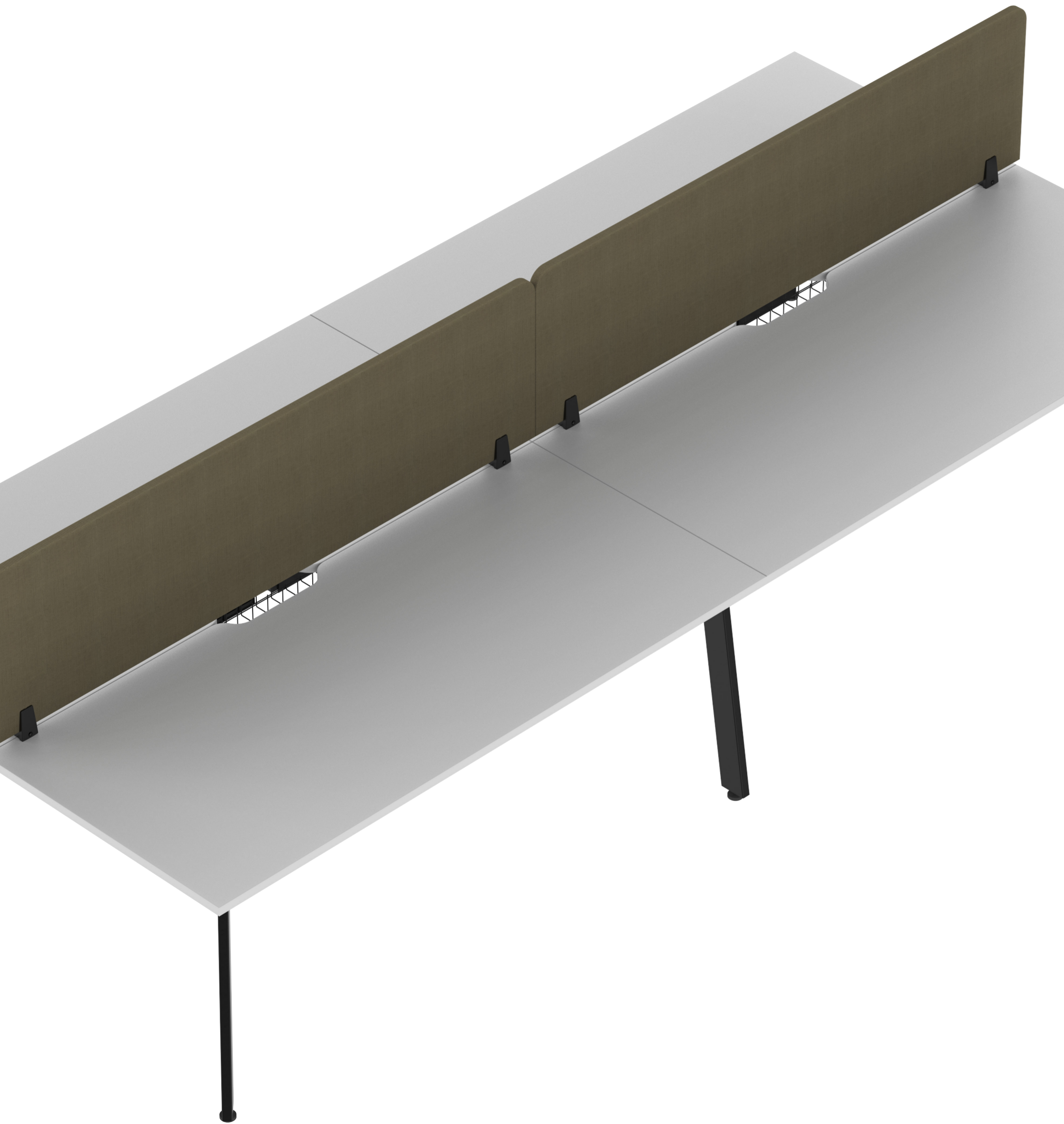


SLEEK





# SLEEK

Clean, simple yet effective, The SLEEK range is designed to simply yield to workplace practicalities, offering you the most simple yet versatile system. With a range of finishes and configurations to suit any office space, SLEEK is designed for you.

SLEEK is designed in response to the requirements of modern office workspaces. SLEEK offers endless possibilities, providing versatility and flexibility through its extensive range of finishes against a signature metal framework to create a distinctive table that works for you.





SLEEK comes standard with a range of suitable privacy screen solutions, providing visual and audio privacy when needed. SLEEK's screens can either be located above the desktop, or as modesty panels extending below the desk.



### Privacy screen finishes

Screens are also available in the following finishes:





With a robust power and data system that seamlessly integrates within its cable management system, SLEEK's special attention to structural details accommodate the needs of today's dynamic environment.

**01 Genuine, practical and Elegant character**

SLEEK's minimal approach makes an uncomplicated approach to maximising creativity and collaboration within the dynamic working spaces of today.

**02 Single or Two Tier cable trays**

SLEEK offers both single and two tier cable tray solutions, allowing you to power your devices as discretely as possible.

**03 Power capabilities**

SLEEK power, voice and data outlets are carefully concealed below the desk, decluttering your workspace.

**04 In-desk power boxes or above desk power rails**

SLEEK's adaptable power options allow you to conceal power and data cables using its in-desk power box, or externalise them using SLEEK's above desk power rails.

**05 Customisable privacy**

SLEEK's privacy and acoustic screens are available in a range of Textiles and Fabrics to choose from. Contact us at our Sydney showroom to discover more about our Fabric and Textile range.

**06 Flexibility, for you**

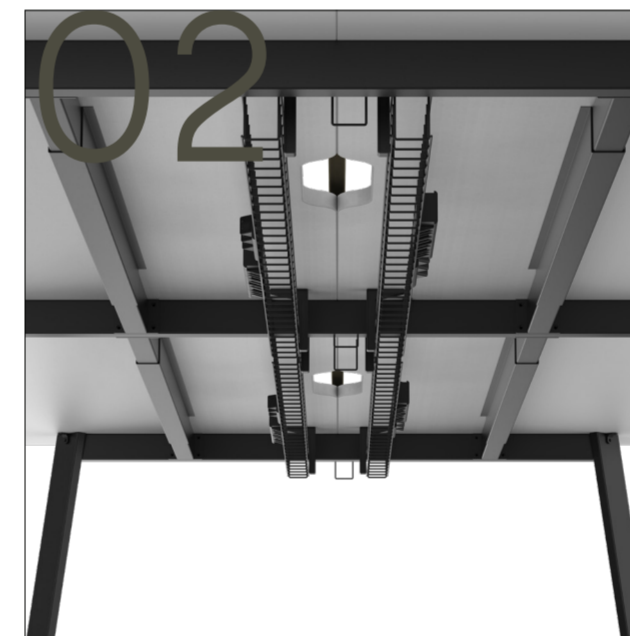
With the ability to choose from our metal leg and timber leg variations with a variety of tabletop textures to compliment, SLEEK is flexible for you.

**07 SLEEK accessories**

The SLEEK series comes with a family of accessories and adjustable add-ons, allowing you to tailor SLEEK for your own individual workspace needs.



01





Using one leg profile, one hub and one rail, SLEEK is designed so the possibilities are endless. With incredible versatility and flexibility, Sleek empowers you.





# SLEEK

## WORKSTATIONS

### SLEEK Linear Single Workstation

#### Materials Information

##### 1. Tops

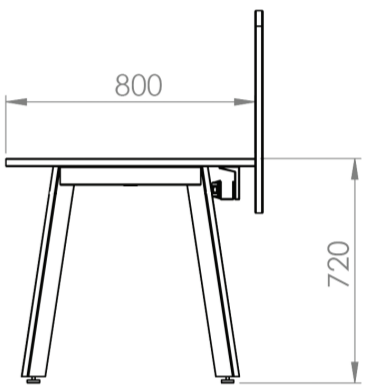
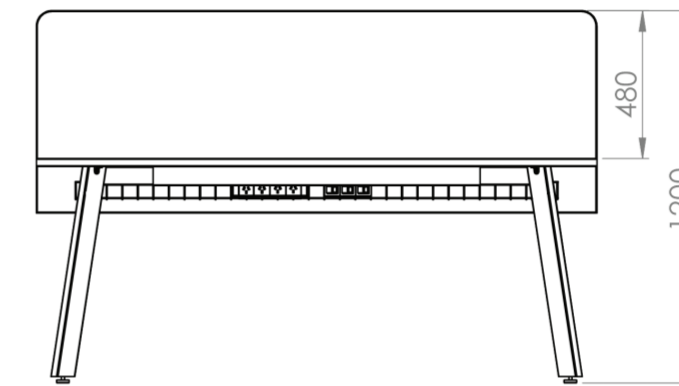
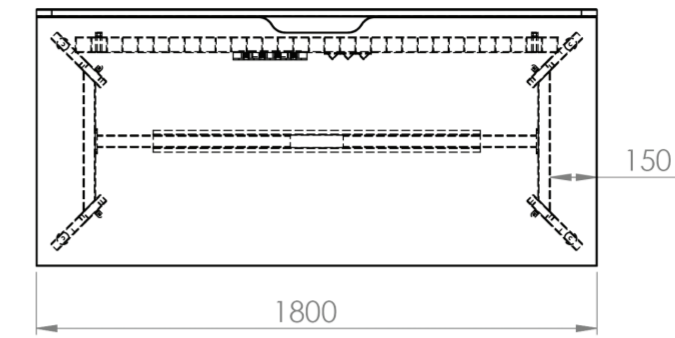
25mm commercial Melamine, Laminate or Veneer worktops. Solid wood or ABS edging.

##### 2. Legs

SLEEK's Legs are all manufactured using Powder-coated Steel. Powder-coated Steel legs come in both white and black variations. Other Colours can be made available as specified.

##### 3. Frame

SLEEK's frames are all manufactured using Powder-coated Steel. White or Black Powder-coat comes as standard. Other Colours can be made available as specified.



### SLEEK Side-by-Side Workstation

#### Materials Information

##### 1. Tops

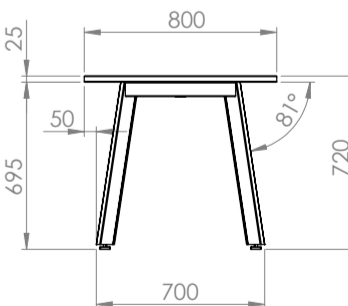
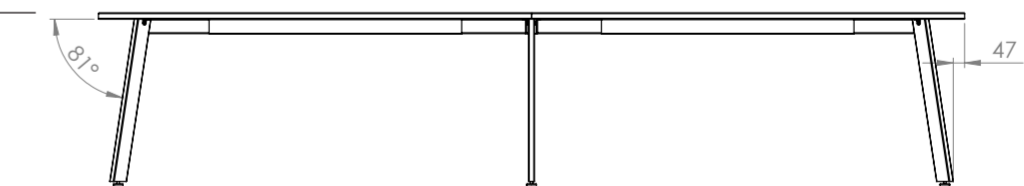
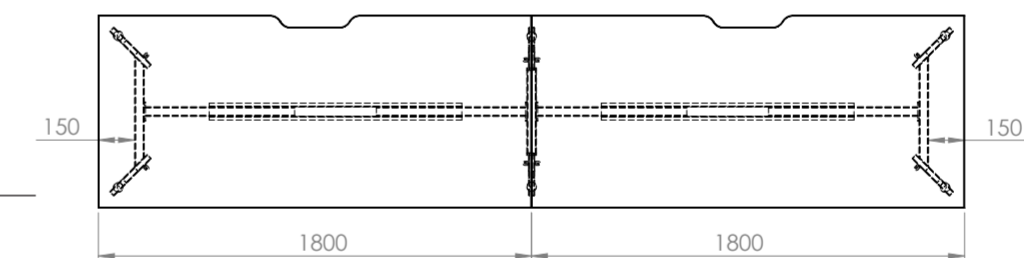
25mm commercial Melamine, Laminate or Veneer worktops. Solid wood or ABS edging.

##### 2. Legs

SCALE's Legs are all manufactured using Powder-coated Steel. Powder-coated Steel legs, come in both white and black variations. Other Colours can be made available as specified.

##### 3. Frame Finishes

SCALE's frames are all manufactured using Powder-coated Steel. White or Black Powder-coat comes as standard. Other Colours can be made available as specified.



# SLEEK

## WORKSTATIONS

### SLEEK Back-to-back Cluster of Four workstation

#### Materials Information

##### 1. Tops

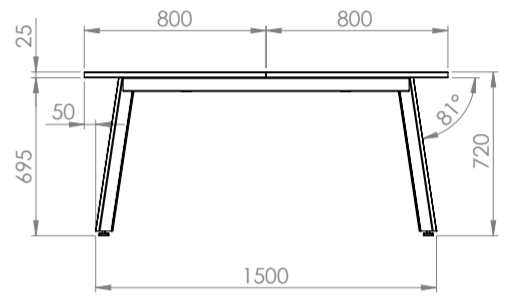
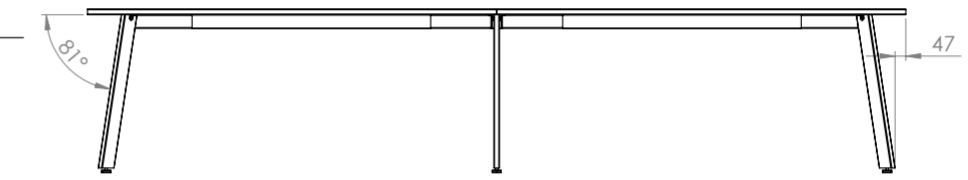
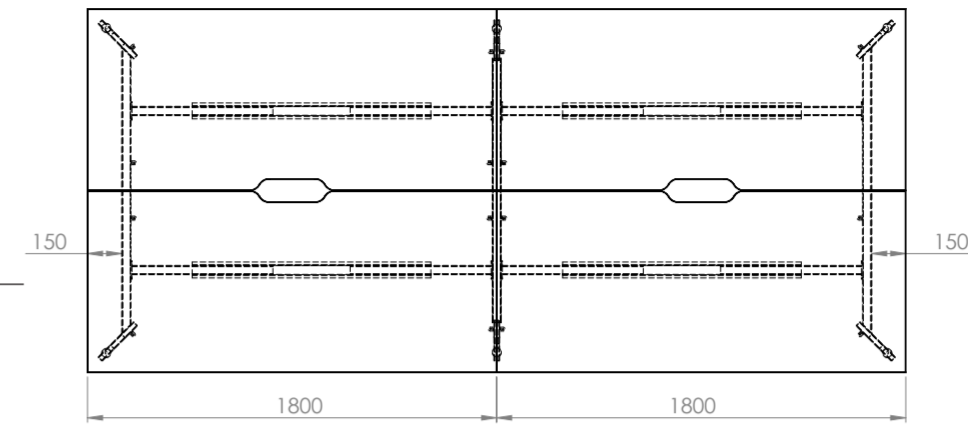
25mm commercial Melamine, Laminate or Veneer worktops. Solid wood or ABS edging.

##### 2. Legs and Frame

SCALE's Legs are all manufactured using Powder-coated Steel. Powder-coated Steel legs, come in both white and black variations. Other Colours can be made available as specified.

##### 3. Frame Finishes

SCALE's frames are all manufactured using Powder-coated Steel. White or Black Powder-coat comes as standard. Other Colours can be made available as specified.



### SLEEK Timber Linear Single Workstation

#### Materials Information

##### 1. Tops

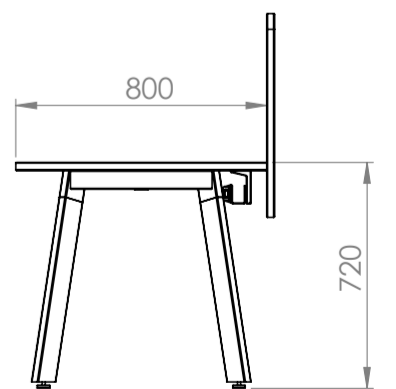
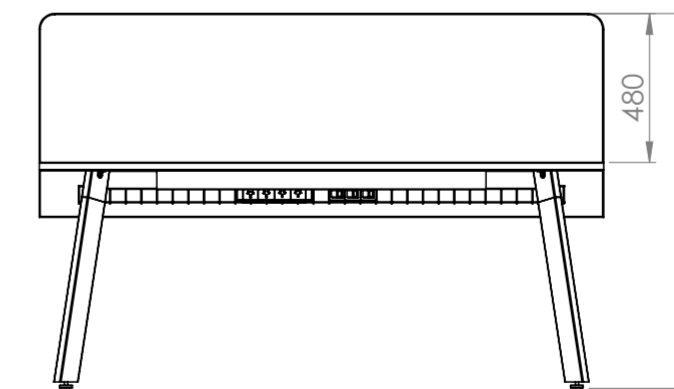
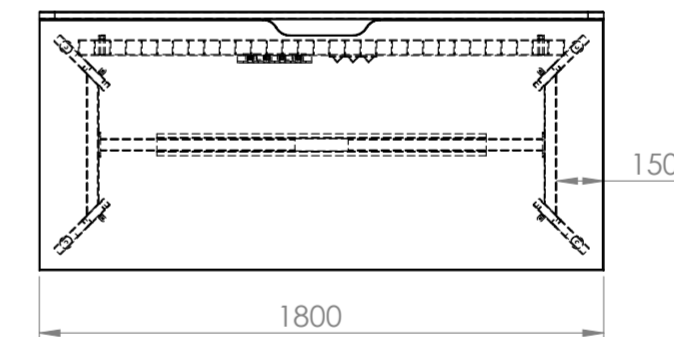
25mm commercial Melamine, Laminate or Veneer worktops. Solid wood or ABS edging.

##### 2. Legs

SCALE's Legs are all manufactured using Powder-coated Steel. Powder-coated Steel legs, come in both white and black variations. Other Colours can be made available as specified.

##### 3. Frame Finishes

SCALE's frames are all manufactured using Powder-coated Steel. White or Black Powder-coat comes as standard. Other Colours can be made available as specified.





# SLEEK

## WORKSTATIONS

### SLEEK Timber Side-by-Side Workstation

#### Materials Information

##### 1. Tops

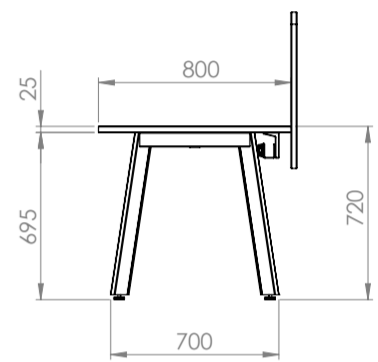
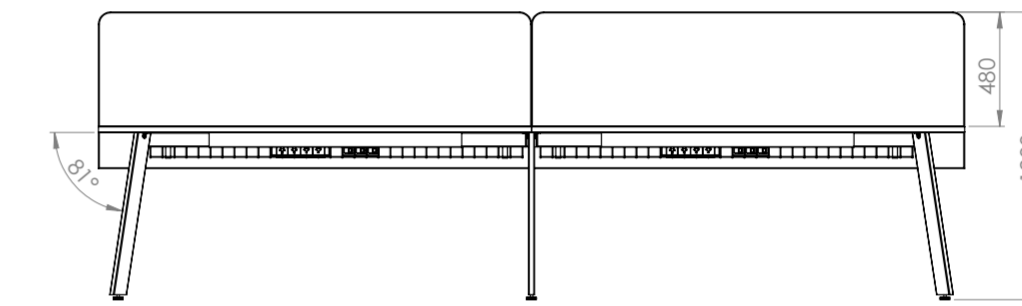
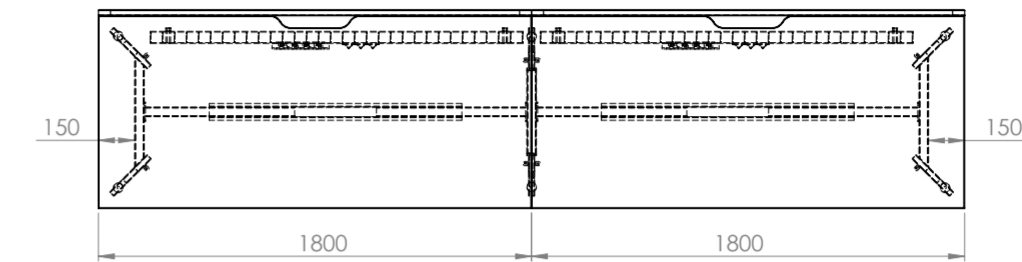
25mm commercial Melamine, Laminate or Veneer worktops. Solid wood or ABS edging.

##### 2. Legs and Frame

SCALE's Legs are all manufactured using Powder-coated Steel. Powder-coated Steel legs, come in both white and black variations. Other Colours can be made available as specified.

##### 3. Frame Finishes

SCALE's frames are all manufactured using Powder-coated Steel. White or Black Powder-coat comes as standard. Other Colours can be made available as specified.



### SLEEK Timber Back-to-back Cluster of Four workstation

#### Materials Information

##### 1. Tops

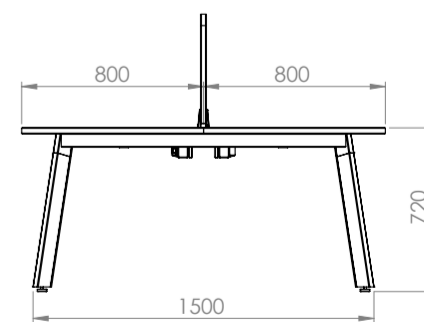
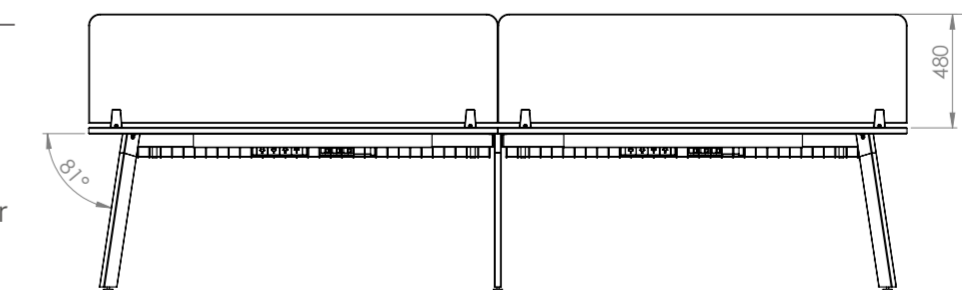
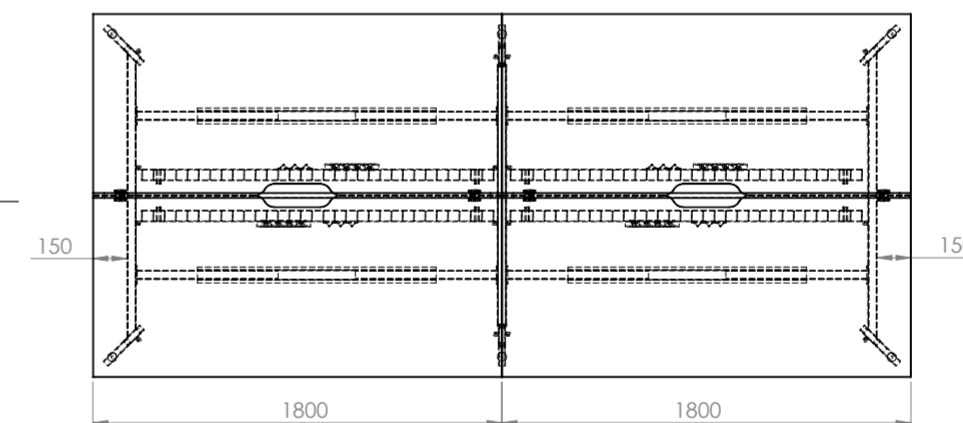
25mm commercial Melamine, Laminate or Veneer worktops. Solid wood or ABS edging.

##### 2. Legs

SCALE's Legs are all manufactured using Powder-coated Steel. Powder-coated Steel legs, come in both white and black variations. Other Colours can be made available as specified.

##### 3. Frame Finishes

SCALE's frames are all manufactured using Powder-coated Steel. White or Black Powder-coat comes as standard. Other Colours can be made available as specified.



# SLEEK

TECHNICAL SPECIFICATIONS

# SLEEK

## FINISHES

Adroit and versatile, SCALE yields the importance of adaptability for your own needs, offering a range of finishes and configurations to suit any office space.

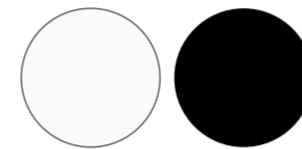
### 1. Tops

25mm commercial Melamine, Laminate or Veneer worktops. Solid wood or ABS edging.



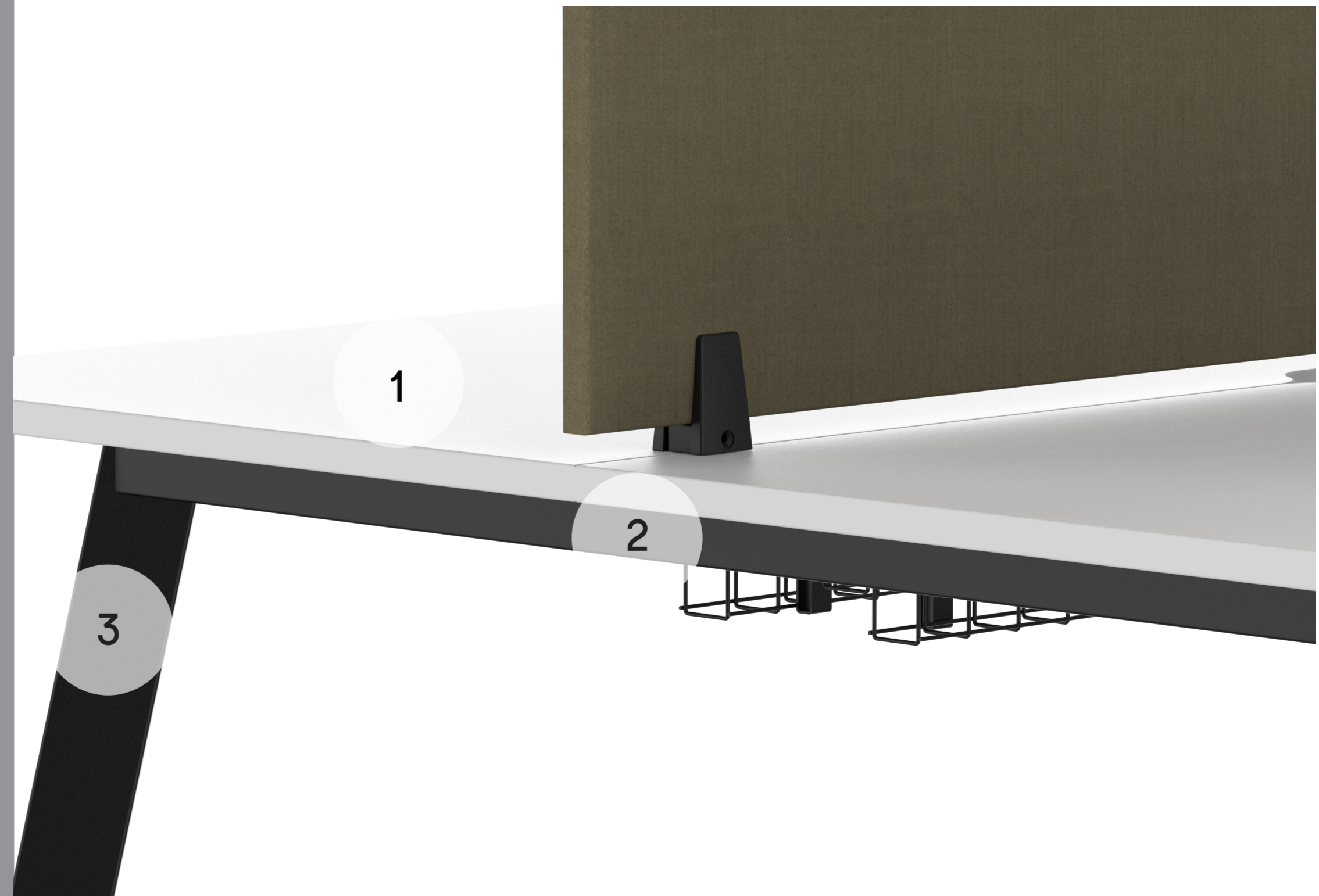
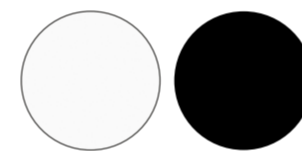
### 2. Legs

SCALE's Legs are all manufactured using Powder-coated Steel. Powder-coated Steel legs, come in both white and black variations. Other Colours can be made available as specified.



### 3. Frame Finishes

SCALE's frames are all manufactured using Powder-coated Steel. White or Black Powder-coat comes as standard. Other Colours can be made available as specified.







## SLEEK

CLEAN, SIMPLE YET EFFECTIVE, THE SLEEK RANGE IS DESIGNED TO SIMPLY YIELD TO WORKPLACE PRACTICALITIES, OFFERING YOU THE MOST SIMPLE YET VERSATILE SYSTEM WITH A RANGE OF FINISHES AND CONFIGURATIONS TO SUIT ANY OFFICE SPACE. SLEEK IS DESIGNED FOR YOU.

## SUSTAINABILITY POLICY

WE BELIEVE A TRULY SUSTAINABLE BUSINESS SHOULD EMBRACE ENVIRONMENTAL, SOCIAL, AND CULTURAL VALUES. OUR PHILOSOPHY MEANS THAT WE EXAMINE EVERYTHING WE DO TO MINIMISE OUR IMPACT ON THE ENVIRONMENT STARTING WITH THE DESIGN OF OUR PRODUCTS, THE SELECTION OF MATERIALS, MANUFACTURING, ASSEMBLY AND INSTALLATION, PRACTICES IN OUR OFFICES AND ACCEPTING THE RESPONSIBILITY FOR OUR PRODUCTS' LIFE CYCLES.

## ENVIRONMENTAL POLICY

RJ OFFICE HAS BEEN ON A SUSTAINABILITY JOURNEY SINCE 2008, ACHIEVING ENVIRONMENTAL PRODUCT CERTIFICATION AND IN 2009 ATTAINING ISO14001 EMS CERTIFICATION. AS PART OF OUR ENVIRONMENTAL MANAGEMENT SYSTEM, WE ARE COMMITTED TO CONTINUALLY IMPROVING OUR ENVIRONMENTAL PRACTICES TO ENSURE THAT WE MAINTAIN A BALANCE BETWEEN THE ENVIRONMENT AND OUR BUSINESS.

## PRODUCT STEWARDSHIP POLICY

OUR PRODUCT STEWARDSHIP POLICY FOR RJ PRODUCTS PROVIDES USERS WITH A NUMBER OF OPTIONS.

WE ENCOURAGE OUR CUSTOMERS TO CONTACT US ABOUT RETURN OF OUR PRODUCTS. IF THE PRODUCTS CANNOT BE REUSED OR REFURBISHED, RJ OFFICE COMMITS TO TAKE THE PRODUCTS BACK, AT AN AGREED COST, AND ENSURE THAT THEY ARE DISASSEMBLED AND THE COMPONENTS ARE RECYCLED OR WHERE APPROPRIATE DISPOSED OF RESPONSIBLY.

PHONE: (02) 9299 9090

RJ OFFICE P/L  
COPYRIGHT 2020  
ALL RIGHTS RESERVED

## SHOWROOM

25 SHELLEY ST  
KING STREET WHARF  
SYDNEY NSW 2000  
T: +61 2 9299 9090

## LOGISTICS

BUILDING 2  
112 LILYFIELD ROAD  
LILYFIELD NSW 2040  
T: +61 2 9818 8788

[info@rj.com.au](mailto:info@rj.com.au)  
[rj.com.au](http://rj.com.au)



**IMAGINE, INNOVATE, CREATE.**

[WWW.RJ.COM.AU](http://WWW.RJ.COM.AU)