

# HEALTHCARE

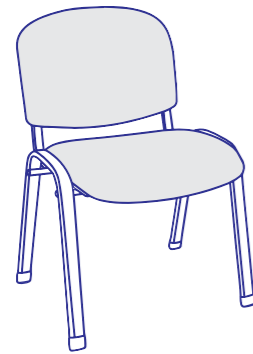


RJ Office

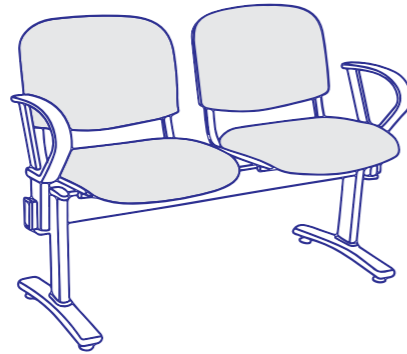
# Chair CUSTOMISATION

## Range Selection

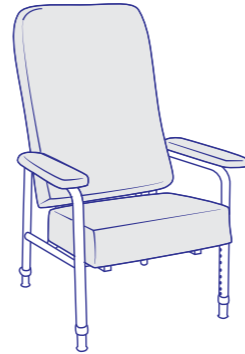
We are proud to showcase a wide selection chairs to suit all demands of the health care sector, from visitor and foyer seating to comfortable and sturdy patient chairs. The following pages go into greater detail about individual chair specifications such as dimensions, weight limits, additional features and required fabric metreage



Joshua Patient Chair



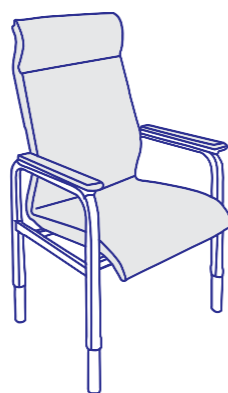
Joshua Beam Seating



Ultimo Bariatric Chair



Ergo Task Chair



Vincent Bariatric Chair

## Frame Selection

All of our metal framed chairs may be coloured in a wide selection of powder coated finishes. Chrome treating is also available on many of our chair ranges as detailed in their respective range pages. Price on application.



## Upholstery Selection

We have partnered with Austex for their Studio Encore and Pellan Ultimate range of Vinyl coatings. Both of these ranges are U/V resistant, abrasion resistant and treated with Ezyclean, a protective finish that helps guard against stains and inhibits the growth of bacteria in the healthcare environment.



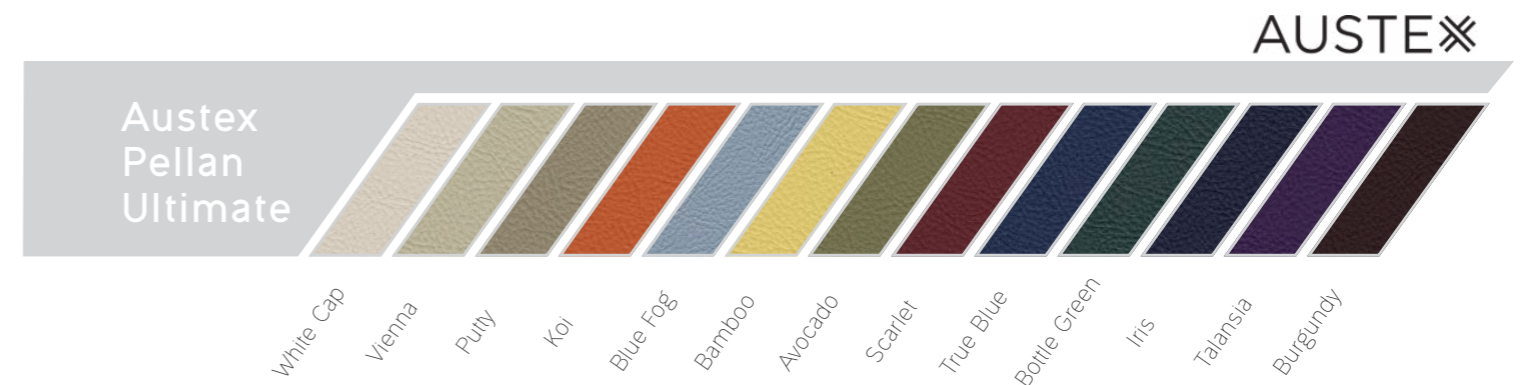
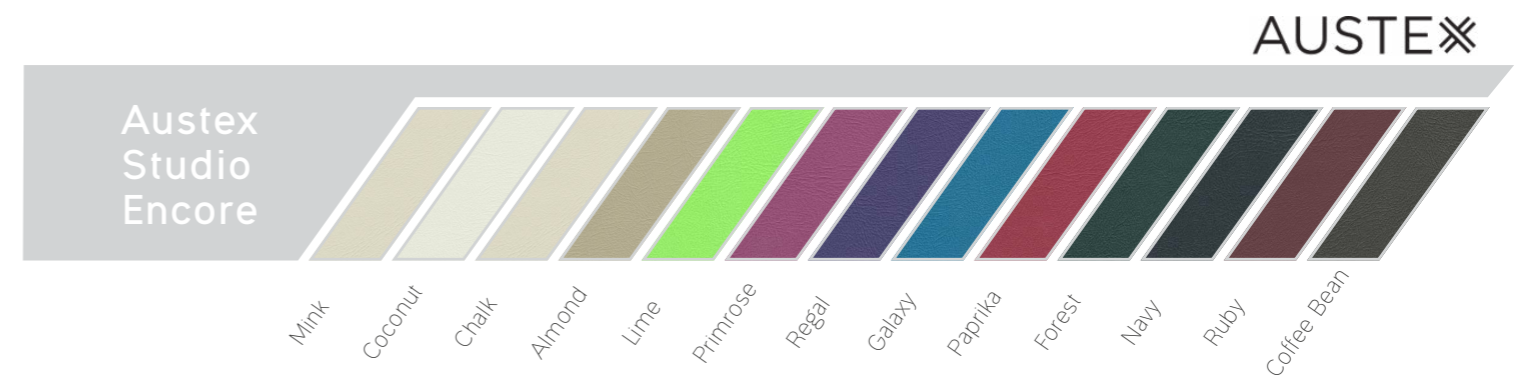
Diplomat Chair Upholstered In Materialised Live Wire Teal



Dyno Beam Seating Upholstered In Warwick Halliwell Pacific

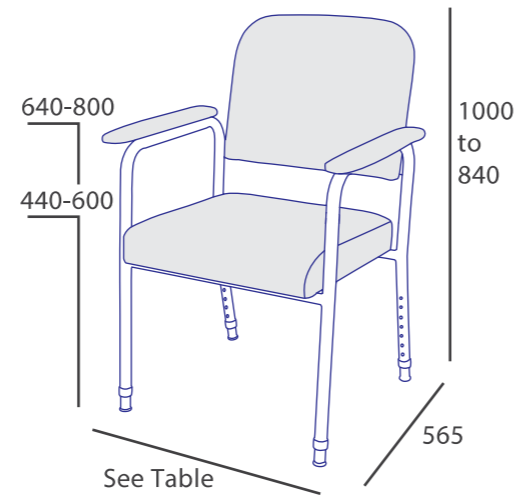


Vincent High Back Upholstered In Materialised Martini Haze



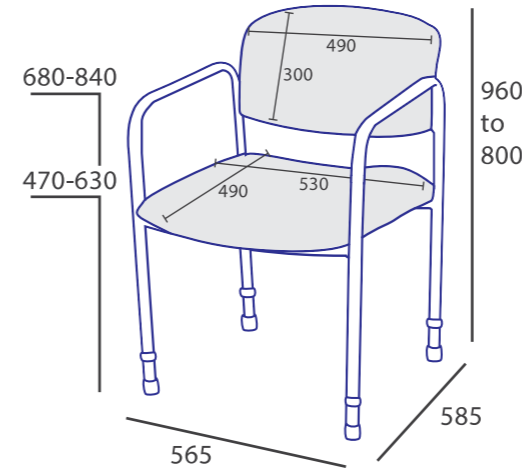
\*The provided colour swatches are to be used as a reference only and may differ from the final product.

# ALFRED Chair



130 KG, 9 KG, 5 YEARS WARRANTY, ADJUSTABLE

# ZIGGY Chair



110 KG, 8 KG, 5 YEARS WARRANTY, ADJUSTABLE, STACKABLE



Alfred 200 U Arm Chair  
ALF 200 U AL A



Alfred 600 U Arm Chair  
ALF 600 U AL A

- > Fully welded adjustable frame with upholstered seat & back
- > Both adjustable and fixed height frames available
- > Versatile steel frame comes in both Z and U arm styles
- > Designed in both 200 and a wider 600 range frame
- > Australian Made

|                     |                         |
|---------------------|-------------------------|
| Chair Dimensions    | 1000-840H x 585W x 565D |
| Chair Weight        | 9kg                     |
| Static Weight Limit | 130kg                   |
| Warranty            | 5 Years                 |
| Origin              | Australia               |
| Stackable           | No                      |



Alfred 200 Z Arm Chair  
ALF 200 Z AL A



Ziggy Adjustable Arm Chair  
Z01 4L AL A



Ziggy Stackable Straight Arm Chair  
Z03 4L BSA

- > Fully welded adjustable frame with upholstered seat & back
- > Both adjustable and fixed height frames available
- > Available with a variety of stackable arm designs
- > Australian Made



Ziggy Side Chair  
Z06 4L

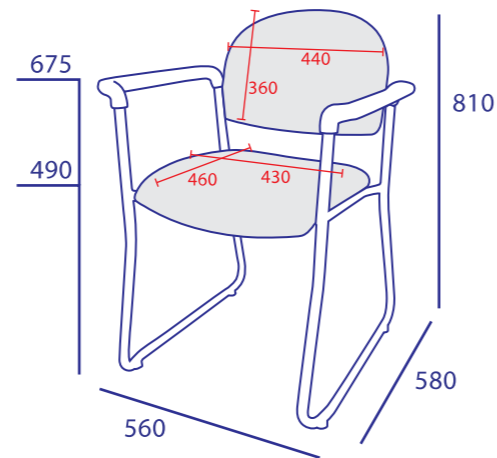


Ziggy Stackable Drop Arm Chair  
Z03 4L BDA

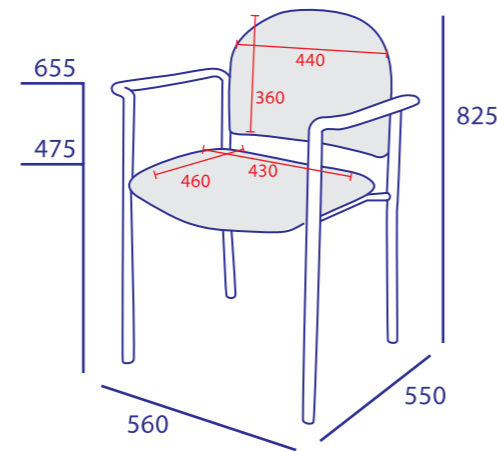
|                     |                        |
|---------------------|------------------------|
| Chair Dimensions    | 960-800H x 565W x 585D |
| Chair Weight        | 8Kg                    |
| Static Weight Limit | 110Kg                  |
| Warranty            | 5 Years                |
| Origin              | Australia              |
| Stackable           | Yes                    |

\*All measurements are in Millimetres

# LAZER Chair



120 KG 8 KG 5 YEARS WARRANTY MADE IN AUSTRALIA



120 KG 8 KG 5 YEARS WARRANTY STACKABLE MADE IN AUSTRALIA



Lazer 40 Side Chair  
LAZ 40 4L B



Lazer 40 Sled Base  
Shown in Wortley Group  
Paintbox Grey Pearl  
LAZ 40 SL B



Lazer 50 Side Chair  
LAZ 50 4L B



Lazer 50 Sled Base  
Shown in Wortley Group  
Mode Nordic  
LAZ 50 SL B

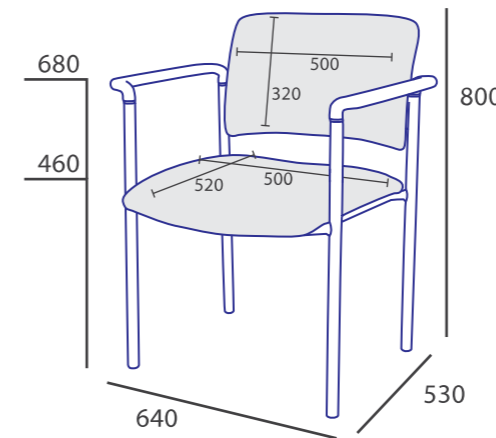


Lazer 50 Sled Straight Arm  
Shown in Wortley Group  
Paintbox Grey Pearl  
LAZ 50 SL BSA



Lazer 50 Sled Drop Arm  
Shown in Wortley Group  
Mode Nordic  
LAZ 50 SL BDA

# BELMONT Chair



110 KG 6 KG 5 YEARS WARRANTY STACKABLE MADE IN AUSTRALIA



Belmont  
Straight Arm Chair  
BEL 40 4L BSA



Belmont  
Drop Arm Chair  
BEL 40 4L BDA



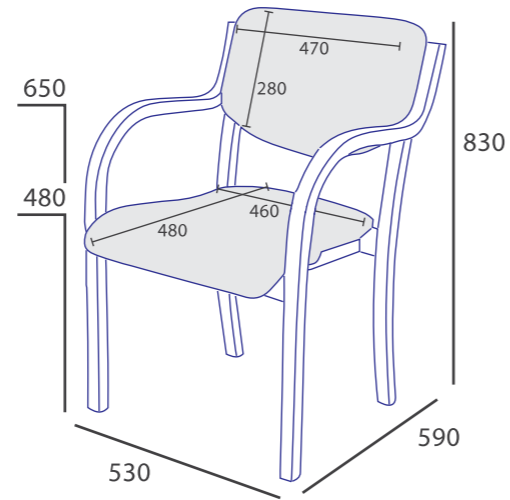
Belmont Side Chair  
BEL 40 4L S

- > Fully welded steel frame with upholstered seat and back
- > Both black and chrome frames available
- > Available with a variety of stackable arm designs
- > Australian Made

|                     |                    |
|---------------------|--------------------|
| Chair Dimensions    | 800H x 640W x 530D |
| Chair Weight        | 6kg                |
| Static Weight Limit | 110kg              |
| Warranty            | 5 Year             |
| Origin              | Australia          |
| Stackable           | Yes                |

\*All measurements are in Millimetres

# WOODTECH Chair



110 KG 7 KG 3 YEARS WARRANTY STACKABLE



Woodtech Side Chair  
WOO 01



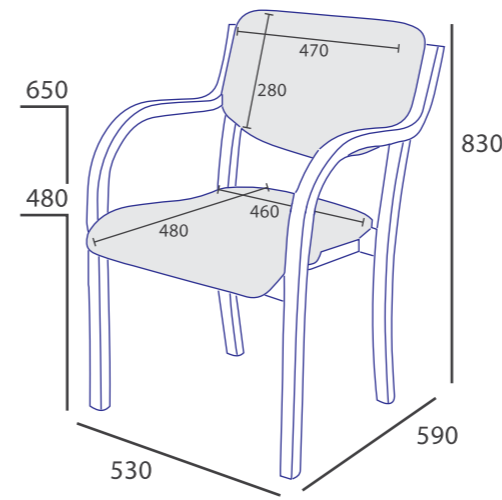
Woodtech Arm Chair  
WOO 01 A

- > Elegant and stackable design with a beautiful wood grain
- > Environmentally friendly plywood frame
- > Comfortable padded seat and back
- > Light yet sturdy construction allows for easy storage



|                     |                    |
|---------------------|--------------------|
| Chair Dimensions    | 830H x 530W x 590D |
| Chair Weight        | 7kg                |
| Static Weight Limit | 110kg              |
| Warranty            | 3 Year             |
| Origin              | China              |
| Stackable           | Yes                |

# ALIWOOD Chair



110 KG 7 KG 3 YEARS WARRANTY STACKABLE



Aliwood Side Chair  
ALI 4L S UP



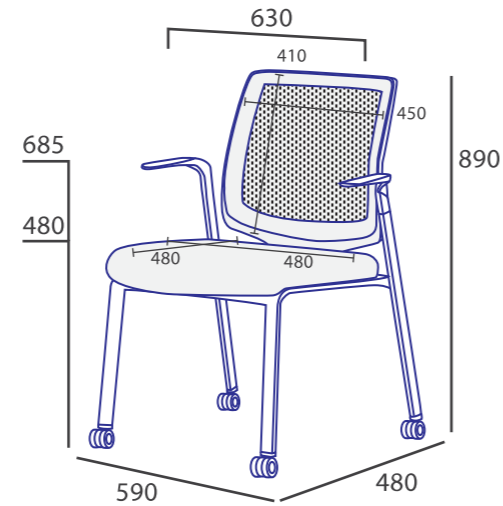
Aliwood Arm Chair  
ALI 4L A UP

- > Elegant and stackable design
- > Corrosion resistant aluminium frame with a wood grain finish
- > Comfortable padded seat and back
- > Light yet sturdy construction allows for easy storage

|                     |                    |
|---------------------|--------------------|
| Chair Dimensions    | 830H x 530W x 590D |
| Chair Weight        | 7kg                |
| Static Weight Limit | 110kg              |
| Warranty            | 3 Year             |
| Origin              | China              |
| Stackable           | No                 |

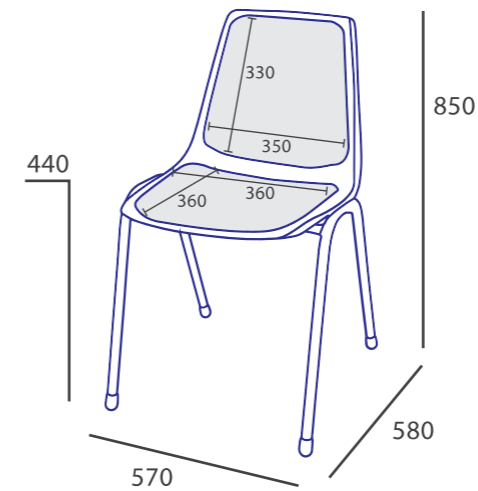
\*All measurements are in Millimetres

# REA Chair



120 KG, 8 KG, 3 YEARS WARRANTY, STACKABLE

# SHELL Chair



100 KG, 4 KG, 3 YEARS WARRANTY, STACKABLE

- > Durable mesh back for both breathability and comfort
- > Simple construction and quick assembly for easy transport
- > Optional wheels come in four unique configurations
- > Seamless stackability for easy storage



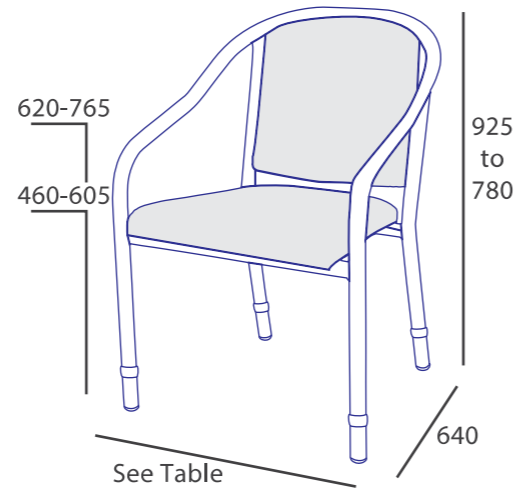
|                     |                    |
|---------------------|--------------------|
| Chair Dimensions    | 890H x 590W x 480D |
| Chair Weight        | 8kg                |
| Static Weight Limit | 120kg              |
| Warranty            | 3 Year             |
| Origin              | China              |
| Stackable           | Yes                |



|                     |                    |
|---------------------|--------------------|
| Chair Dimensions    | 830H x 480W x 460D |
| Chair Weight        | 4kg                |
| Static Weight Limit | 100kg              |
| Warranty            | 3 Year             |
| Origin              | Australia          |
| Stackable           | Yes                |

\*All measurements are in Millimetres

# KARA Chair



150 KG 10 KG 5 YEARS WARRANTY ADJUSTABLE STACKABLE MADE IN AUSTRALIA



Stackable frame for easy storage and saved space

Both adjustable and fixed height frames

- > Fully welded steel frame with upholstered seat and back
- > Sloped armrests for added comfort and support
- > Adjustable or fixed height frames available
- > Frame crafted from solid 32mm Diameter steel tube
- > Australian Made

|                     |                        |
|---------------------|------------------------|
| Chair Dimensions    | 925-780H x 560W x 640D |
| Chair Weight        | 10kg                   |
| Static Weight Limit | 150kg                  |
| Warranty            | 5 Year                 |
| Origin              | Australia              |
| Stackable           | Yes                    |



Kara 200 Adjustable Chair  
KAR 200 4L AL A



Kara 200 Side Chair  
KAR 200 4L S



Kara 600 Adjustable Chair  
KAR 600 4L AL A



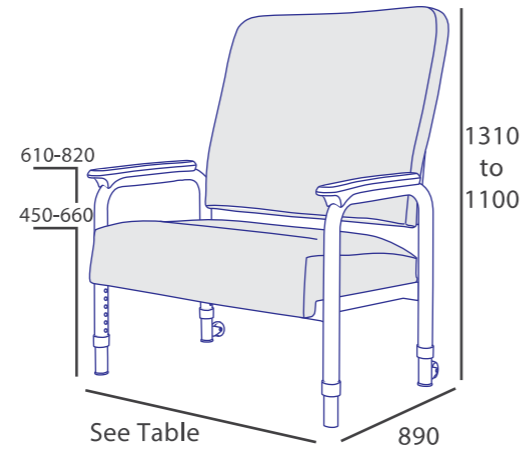
Kara 720 Fixed Height Chair  
KAR 720 4L A

## Kara Dimensions

| Chair Range                 | Chair Height | Chair Width | Seat Width | Back Width | Weight | SWL   |
|-----------------------------|--------------|-------------|------------|------------|--------|-------|
| Kara 200 Adjustable Chair   | 925-780      | 560         | 500        | 490        | 10Kg   | 150Kg |
| Kara 200 Fixed Height Chair | 800          | 560         | 500        | 490        | 10Kg   | 150Kg |
| Kara 200 Side Chair         | 800          | 540         | 500        | 490        | 9Kg    | 150Kg |
| Kara 600 Adjustable Chair   | 925-780      | 660         | 600        | 590        | 12Kg   | 200Kg |
| Kara 600 Fixed Height Chair | 800          | 660         | 600        | 590        | 12Kg   | 200Kg |
| Kara 720 Adjustable Chair   | 925-780      | 780         | 720        | 710        | 14Kg   | 250Kg |
| Kara 720 Fixed Height Chair | 800          | 780         | 720        | 710        | 14Kg   | 250Kg |
| Kara Bar Stool              | 1050         | 560         | 500        | 490        | 13Kg   | 150Kg |

\*All measurements are in Millimetres

# CONCORD Chair



- > Fully welded adjustable frame with upholstered seat & back
- > Selection of upholstered or PU armrests for added comfort
- > Back mounted handle and rear leg wheels for easy transport
- > Variable width and weight grades for the toughest demands
- > Height adjustable and fixed height frames available
- > Australian Made
- > May be upholstered in new Austex Studio
- > Pellan vinyl for a medical grade coating



40mm diameter tubing offers unparalleled strength and durability

### Concord Information

|                     |                                |
|---------------------|--------------------------------|
| Chair Dimensions    | 1310-1100H x (Various*) x 890D |
| Static Weight Limit | Various* (+250kg)              |
| Warranty            | 5 Year                         |
| Origin              | Australia                      |
| Stackable           | No                             |

Fully upholstered seat and back in wide variety of fabric or vinyl

Sturdy Bariatric frame features four different sizes for the toughest demands

May be ordered with either PU or upholstered arms

40mm Diameter fully welded steel frame and over 250kg SWL



Adjustable or fixed height frames available

Optional rear wheels for ease of transportation

### Concord Dimensions

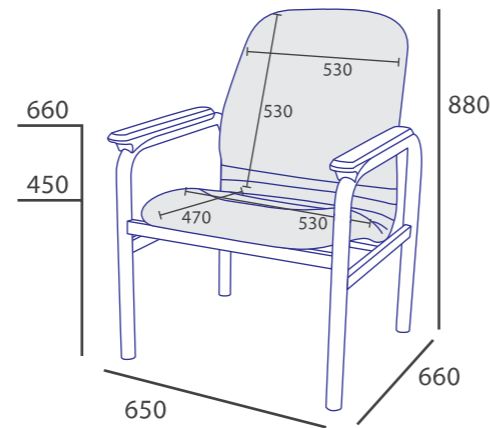
| Chair Range            | Chair Height | Chair Depth | Chair Width | Seat Width | Back Width | Weight | SWL   |
|------------------------|--------------|-------------|-------------|------------|------------|--------|-------|
| Concord 500            | 1170         | 890         | 610         | 500        | 490        | 24kg   | 250kg |
| Concord 500 Adjustable | 1310-1100    | 890         | 610         | 500        | 490        | 24kg   | 250kg |
| Concord 580            | 1170         | 890         | 690         | 580        | 570        | 27kg   | 300kg |
| Concord 580 Adjustable | 1310-1100    | 890         | 690         | 580        | 570        | 27kg   | 300kg |
| Concord 690            | 1170         | 890         | 800         | 690        | 680        | 29kg   | 350kg |
| Concord 690 Adjustable | 1310-1100    | 890         | 800         | 690        | 680        | 29kg   | 350kg |
| Concord 840            | 1170         | 890         | 950         | 840        | 830        | 31kg   | 400kg |
| Concord 840 Adjustable | 1310-1100    | 890         | 950         | 840        | 830        | 31kg   | 400kg |

\*All measurements are in Millimetres

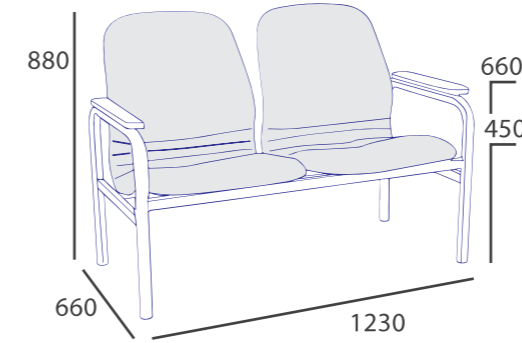


# AMBASSADOR Chair

# AMBASSADOR Seating



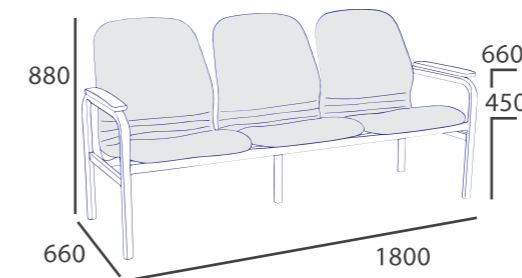
150 KG  
17 KG  
5 YEARS WARRANTY  
MADE IN AUSTRALIA



300 KG  
30 KG  
5 YEARS WARRANTY  
MADE IN AUSTRALIA



Ambassador Two Seater  
AMB 2



450 KG  
41 KG  
5 YEARS WARRANTY  
MADE IN AUSTRALIA



Ambassador Three Seater  
AMB 3



Ambassador Patient Chair  
AMB 01 S



Ambassador Arm Chair  
AMB 01



Ambassador Chair With Castors  
AMB 01 CA



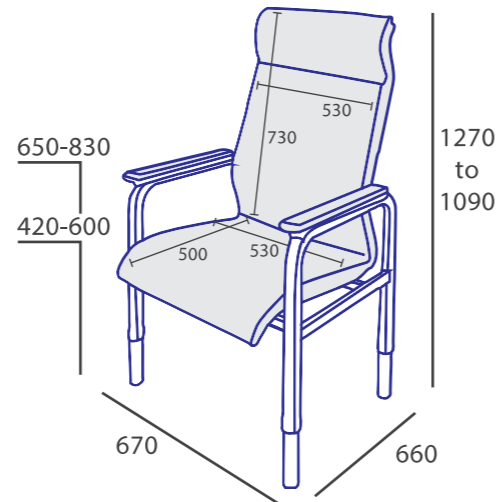
- > Fully welded steel frame with upholstered seat and back
- > Contoured shell shape with high density foam
- > Suitable for high use applications
- > Ergonomic PU arm pads for comfort and support
- > May be ordered in two or three seater configurations
- > Optional castors for single seater only
- > Frame made from 38mm Diameter tube
- > Australian Made

### Single Seater Information

|                     |                    |
|---------------------|--------------------|
| Chair Dimensions    | 880H x 650W x 660D |
| Chair Weight        | 17kg               |
| Static Weight Limit | 150kg              |
| Warranty            | 5 Year             |
| Origin              | Australia          |
| Stackable           | No                 |

\*All measurements are in Millimetres

# VINCENT Chair



Vincent High Back  
Shown in Tera Nova Neo  
Sandstone VIN 6 HB



Vincent Low Back  
Shown in Macquarie London  
Westminster VIN 6 LB

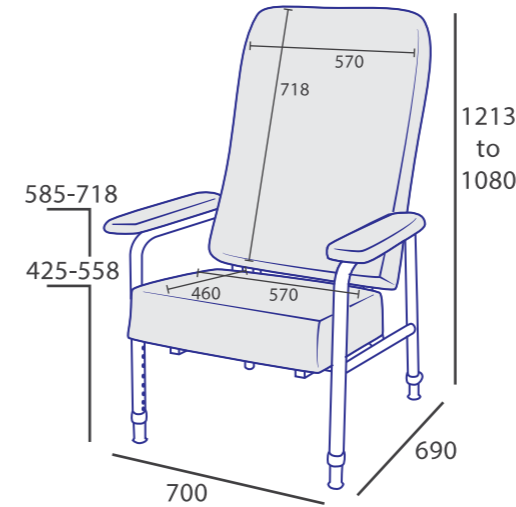
- > Height adjustable steel frame with upholstered seat & back
- > Contoured shell shape with high density foam cushioning
- > Suitable for high use applications
- > Ergonomic PU arm pads for added support
- > Adjustable transit wheels for easy maneuverability
- > Australian Made

|                     |                          |
|---------------------|--------------------------|
| Chair Dimensions    | 1270-1090H x 670W x 660D |
| Chair Weight        | 22kg                     |
| Static Weight Limit | 250kg                    |
| Warranty            | 5 Year                   |
| Origin              | Australia                |
| Stackable           | No                       |



Vincent High Back  
Shown in Materialized  
Martini Haze VIN 6 HB

# ULTIMO Chair



Ultimo Chair  
Upholstered Arms  
ULT AD L&B+UP



Ultimo Chair  
With PU Arms  
ULT AD L&B+PU

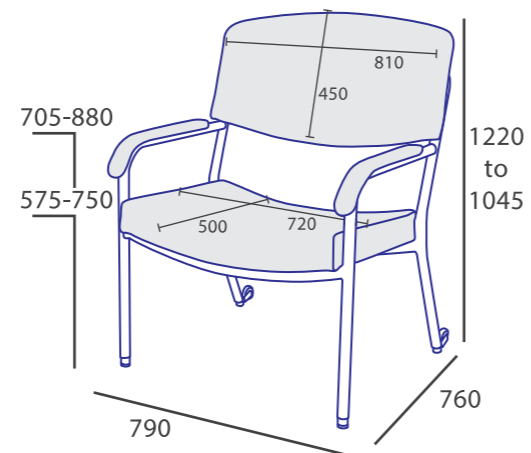
- > Height adjustable steel frame with upholstered seat & back
- > High density foam for comfort over long periods
- > Suitable for high use applications
- > Ergonomic arm pads for added comfort and support
- > Fixed with rear wheels for ease of use
- > Australian Made



|                     |                          |
|---------------------|--------------------------|
| Chair Dimensions    | 1213-1080H x 700W x 690W |
| Chair Weight        | 22kg                     |
| Static Weight Limit | 140kg                    |
| Warranty            | 5 Year                   |
| Origin              | Australia                |
| Stackable           | No                       |

\*All measurements are in Millimetres

# RPA Chair

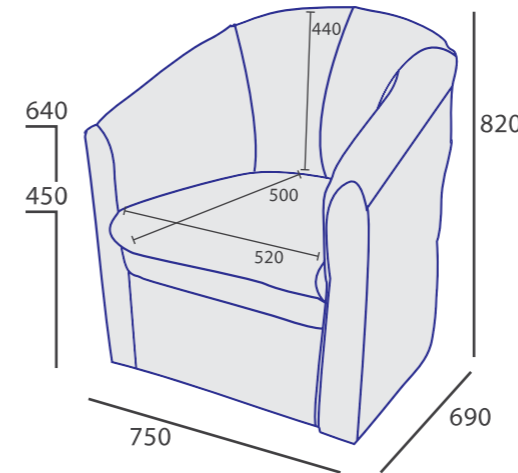


- > Fully welded steel frame with upholstered seat and back
- > Sloped PU armrests for added comfort and support
- > Heavy duty frame rated up to 250kgs
- > Height adjustable legs
- > Australian made chair
- > Rear leg wheels and stackable frame for easy transit and storage

|                     |                          |
|---------------------|--------------------------|
| Chair Dimensions    | 1220-1045H x 820W x 760D |
| Chair Weight        | 20kg                     |
| Static Weight Limit | 250kg                    |
| Warranty            | 5 Year                   |
| Origin              | Australia                |
| Stackable           | Yes                      |



# OMEGA Chair



Omega Tub Chair  
OME TU PU



Omega Two Seater Lounge  
OME 2 TU PU

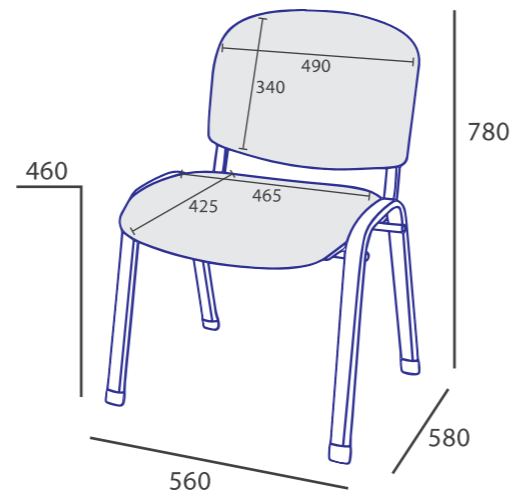
- > Tub chair stocked in black, white and red PU
- > Local upholstery options available in fabric or vinyl
- > Comfortable cushioned seat and back
- > Sloping armrests for comfort and support
- > Two seater Omega in black PU only or can be reupholstered in Australian Vinyl



|                     |                              |
|---------------------|------------------------------|
| Chair Dimensions    | 820H x 750W x 690D           |
| Chair Weight        | 18kg                         |
| Static Weight Limit | 130kg                        |
| Warranty            | 5 Year Structural, 2 Year PU |
| Origin              | China                        |
| Stackable           | No                           |

\*All measurements are in Millimetres

# JOSHUA Seating



110 KG, 7 KG, 3 YEARS WARRANTY, STACKABLE

- > Fully welded steel frame with upholstered seat and back
- > Optional armrests for added support
- > Optional links to connect chairs as required
- > Stocked in black and charcoal upholstery
- > Can be ordered with an Australian Made sled base
- > Beams may be fitted with an extra leg for added strength
- > Additional features such as centre tables and arms can be added to beam seating.

|                     |                      |
|---------------------|----------------------|
| Chair Dimensions    | 780H x 560W x 580Dmm |
| Chair Weight        | 7kg                  |
| Static Weight Limit | 110kg                |
| Warranty            | 3 Year               |
| Origin              | China                |
| Stackable           | Yes                  |



Joshua Side Chair  
JOS 601 F



Joshua Linkable Chair  
JOS 601 FL



Joshua Arm Chair  
JOS 601 FA



Joshua Sled Base  
JOS 602 F

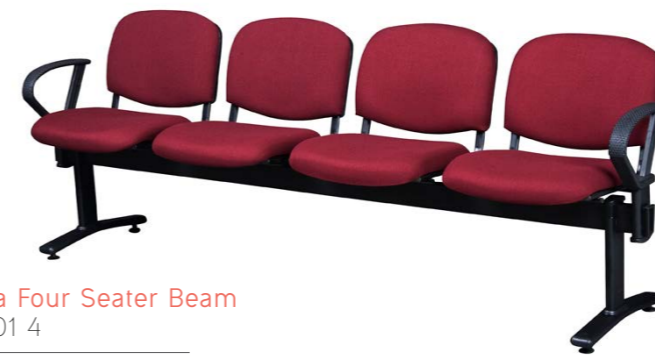
# JOSHUA Beams



Joshua Two Seater Beam  
JOS 201 2



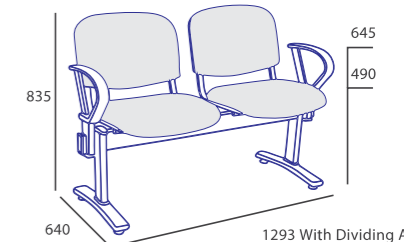
Joshua Three Seater Beam  
JOS 201 3



Joshua Four Seater Beam  
JOS 201 4

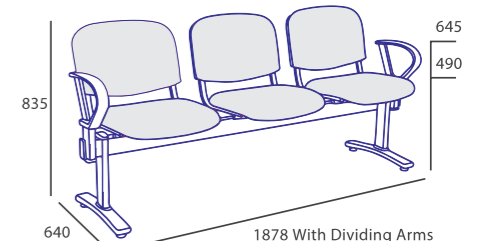


Joshua Five Seater Beam  
JOS 201 5



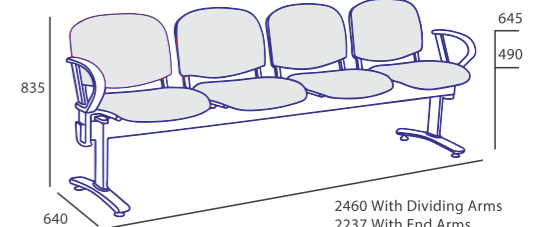
1293 With Dividing Arms  
1147 With End Arms  
1035 Without Arms

220 KG, 21 KG, 3 YEARS WARRANTY



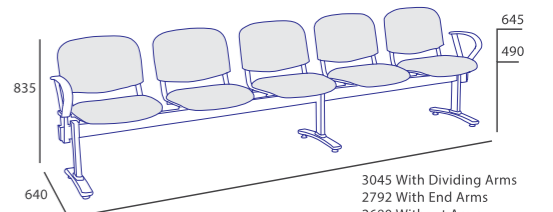
1878 With Dividing Arms  
1692 With End Arms  
1580 Without Arms

330 KG, 29 KG, 3 YEARS WARRANTY



2460 With Dividing Arms  
2237 With End Arms  
2125 Without Arms

440 KG, 36 KG, 3 YEARS WARRANTY



3045 With Dividing Arms  
2792 With End Arms  
2680 Without Arms

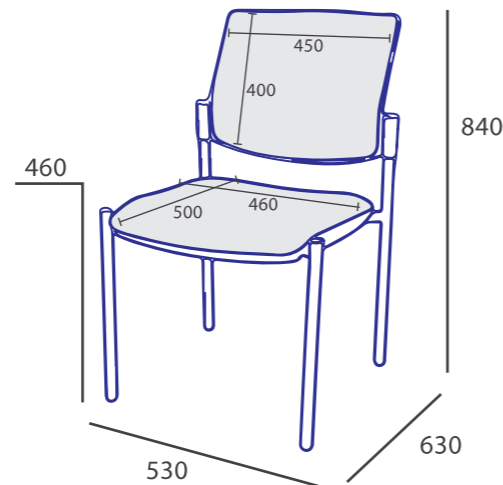
700 KG, 46 KG, 3 YEARS WARRANTY

\*All measurements are in Millimetres

# DYNO Seating



Dyno 40 Side Chair  
DYN 40 4L



110 KG 8 KG 3 YEARS WARRANTY STACKABLE

- > Fully welded steel frame with upholstered seat and back
- > Quality PP shell increases moisture and bacteria resistance
- > Seamlessly stackable chair frame for easy storage
- > May be ordered with a square, curved or mesh back
- > Beams may be fitted with an extra leg for added strength
- > Additional features such as centre tables and arms can be added to beam seating.

|                     |                      |
|---------------------|----------------------|
| Chair Dimensions    | 840H x 530W x 630Dmm |
| Chair Weight        | 8kg                  |
| Static Weight Limit | 110kg                |
| Warranty            | 3 Year               |
| Origin              | China                |
| Stackable           | Yes                  |



Dyno 50 Side Chair  
DYN 50 4L



Dyno 50 Side Chair Chrome  
DYN 50 4L C



Dyno 60 Side Chair  
DYN 60 4L

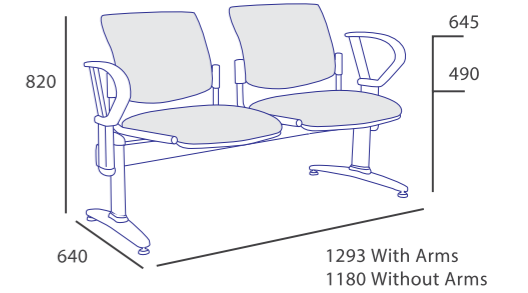


Dyno 60 Arm Chair  
DYN 60 4L BDA

# DYNO Beams



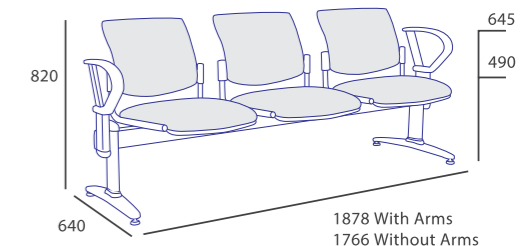
Dyno 40 Two Seater Beam  
Upholstered in Warwick Halliwell Pacific  
DYN 40 2 + 2A



220 KG 21 KG 3 YEARS WARRANTY



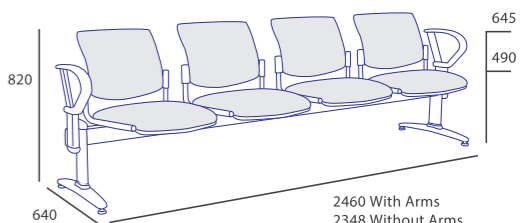
Dyno 40 Three Seater Beam  
Upholstered in Warwick Halliwell Pacific  
DYN 40 3 + 2A



330 KG 29 KG 3 YEARS WARRANTY



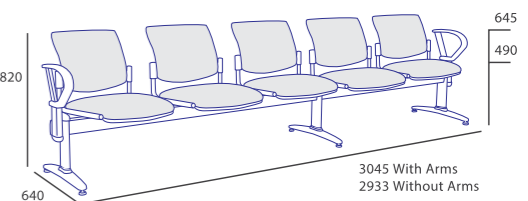
Dyno 40 Four Seater Beam  
DYN 40 4



440 KG 36 KG 3 YEARS WARRANTY



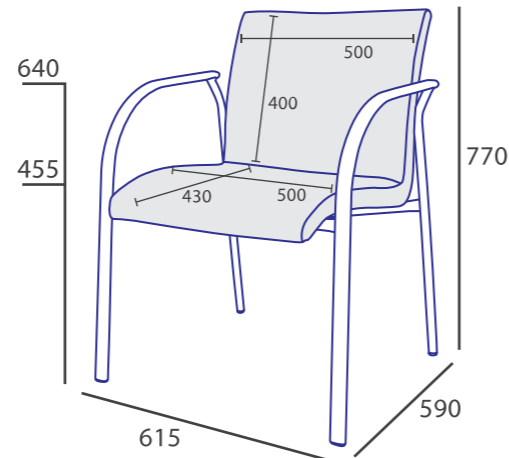
Dyno 40 Five Seater Beam  
DYN 40 5



700 KG 46 KG 3 YEARS WARRANTY

\*All measurements are in Millimetres

# DIPLOMAT Seating



**Diplomat Chair**  
Shown in Materialised - Live Wire Teal  
DIP CH

- > Fully welded steel frame with upholstered seat and back
- > Stackable frame for easy storage



|                     |                      |
|---------------------|----------------------|
| Chair Dimensions    | 770H x 615W x 590Dmm |
| Chair Weight        | 10kg                 |
| Static Weight Limit | 120kg                |
| Warranty            | 3 Years              |
| Origin              | Australia            |
| Stackable           | Yes                  |

# DIPLOMAT Beams



**Diplomat Two Seater Beam**  
Upholstered in Materialised - Live Wire Teal  
DIP 2 + 2A

1293 With Arms  
1180 Without Arms



**Diplomat Three Seater Beam**  
Upholstered in Materialised - Live Wire Teal  
DIP 3 + 2A

1878 With Arms  
1766 Without Arms



**Diplomat Four Seater Beam**  
Upholstered in Materialised - Live Wire Teal  
DIP 4 + 2A

2460 With Arms  
2348 Without Arms



**Diplomat Five Seater Beam**  
Upholstered in Materialised - Live Wire Teal  
DIP 5 + 2A

3045 With Arms  
2933 Without Arms

\*All measurements are in Millimetres

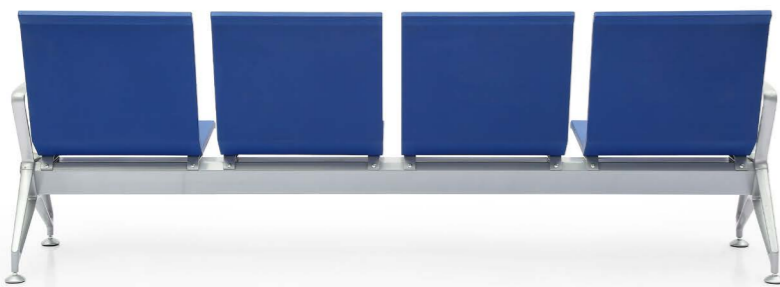
# FOYER Seating



- > Seat and back are made from a hydraulically moulded steel plate
- > Arms and feet are made from die cast moulded high strength aluminium alloy
- > Rust proof treated and electrostatic polished metal frame
- > Seat and back crafted from durable, high density foam
- > A full five years warranty

## Foyer Seating Dimensions

| Product Title           | Overall Height | Overall Width | Overall Depth | Total Weight | SWL   |
|-------------------------|----------------|---------------|---------------|--------------|-------|
| Foyer Two Seater Beam   | 875H           | 1200W         | 640D          | 49kg         | 220kg |
| Foyer Three Seater Beam | 875H           | 1810W         | 640D          | 63kg         | 330kg |
| Foyer Four Seater Beam  | 875H           | 2400W         | 640D          | 98kg         | 440kg |
| Foyer Five Seater Beam  | 875H           | 2990W         | 640D          | 123kg        | 550kg |



Stocked Colours

Black

Indent Colours

Deep Blue

Sky Blue

Red

Green

\*All measurements are in Millimetres

# LAB Seating

# EXECUTIVE Seating




**Ergo Clerical  
ERG 300**

120 KG  
12.1 KG  
5 YEARS WARRANTY

AFRDI  
furntech  
Australian Furniture Research & Development Institute




**Ergo Drafting  
ERG 300 D**

120 KG  
14 KG  
5 YEARS WARRANTY

AFRDI  
furntech  
Australian Furniture Research & Development Institute




**Leisee Executive  
LEI EX**

110 KG  
5 YEARS WARRANTY

BIFMA COMPLIANT




**Aisak Executive  
AIS-EX**

110 KG  
5 YEARS WARRANTY

BIFMA COMPLIANT




**Vogue Stool  
VOG 650**

138 KG  
5 YEARS WARRANTY




**Aisak Drafting  
AISD**

110 KG  
5 YEARS WARRANTY




**Vivid Executive  
VIV-EX**

135 KG  
5 YEARS WARRANTY




**Sam Executive  
SAM-EX**

140 KG  
5 YEARS WARRANTY




**Solo Adjustable Stool  
SOL S**

100 KG  
5 YEARS WARRANTY




**Lab Stool  
LAB D S**

100 KG  
5 YEARS WARRANTY




**Yen Executive  
YEN-EX**

150 KG  
5 YEARS WARRANTY




**Milli Executive  
MIL-EX**

135 KG  
5 YEARS WARRANTY

\*All measurements are in Millimetres



# BOARDROOM Tables



Adjustable Projector Table  
T30 F

- > Stylish chrome finish and an area conscious four leg base
- > Smooth telescopic adjustable height mechanism
- > 25 or 18mm Melamine tops that may be ordered in an extended colour range

## Height Adjustable Tables

| Code Number  | Top Thickness | Top Size | Height    |
|--------------|---------------|----------|-----------|
| T30 900 D 25 | 25mm          | 900 Dia  | 1282-847H |
| T30 900 D 18 | 18mm          | 900 Dia  | 1275-840H |
| T30 750 D 25 | 25mm          | 750 Dia  | 1282-847H |
| T30 750 D 18 | 18mm          | 750 Dia  | 1275-840H |



Telescopic pedestal base for seamless adjustability



Boardroom Executive Twin-Pedestal Table  
BO EX

## Boardroom Executive Tables

| Code Number    | Top Thickness | Top Size    | Height |
|----------------|---------------|-------------|--------|
| BO EX 24 12 25 | 25mm          | 2400 x 1200 | 730H   |
| BO EX 24 90 25 | 25mm          | 2400 x 900  | 730H   |
| BO EX 18 90 25 | 25mm          | 1800 x 900  | 730H   |



Executive Single-Pedestal Meeting Table  
ME MO

## Executive Meeting Tables

| Code Number     | Top Thickness | Top Size | Height |
|-----------------|---------------|----------|--------|
| ME MO 1200 D 25 | 25mm          | 1200 Dia | 730H   |
| ME MO 1200 D 18 | 18mm          | 1200 Dia | 723H   |
| ME MO 900 D 25  | 25mm          | 900 Dia  | 730H   |
| ME MO 900 D 18  | 18mm          | 900 Dia  | 723H   |
| ME MO 750 D 25  | 25mm          | 750 Dia  | 730H   |
| ME MO 750 D 18  | 18mm          | 750 Dia  | 723H   |

## Standard Melamine Colour Range



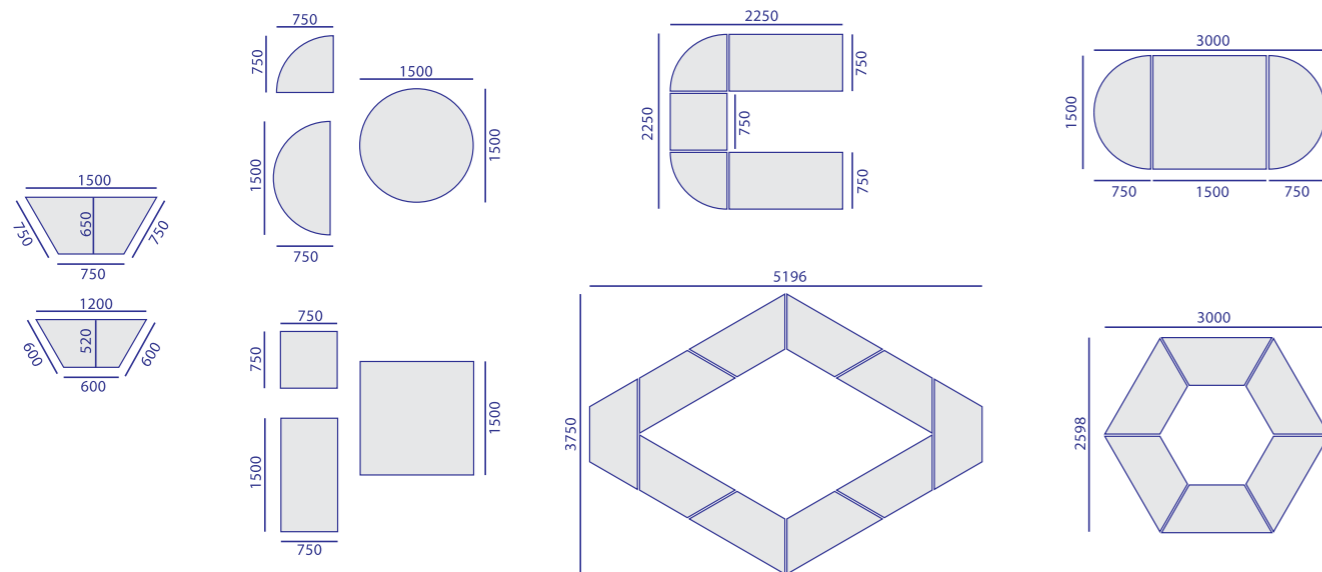
\*All measurements are in Millimetres

# MODULAR Tables



Modular Range Standard Tables  
MOD XX XX

- > Frame available in a wide variety of powder coated colours
- > Sturdy 50mm Diameter steel tube legs with levelling feet
- > Available in either 18 or 15mm melamine tops
- > Versatile table shape that can be arranged in several attractive configurations



Melamine tops come in a wide variety of colours and finishes

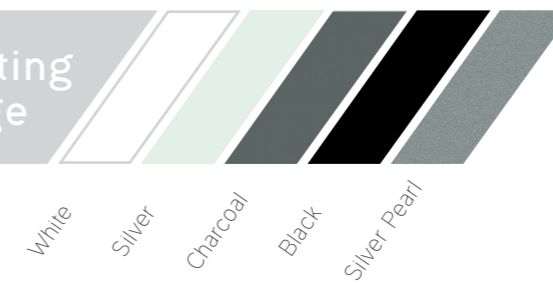
Levelling feet provide fine control over table height

Both 18mm and 25mm Tops with 3mm ABS edging available

Sturdy 50mm legs and 35x19mm railing



## Powder Coating Colour Range



## Standard Melamine Colour Range



\*All measurements are in Millimetres

This healthcare catalogue is to be studied as part of our extensive range of products

Workstations



Seating



Tables



Storage



Accessories



Lighting



Media & Booth



Working at Home

